

Manufacturing, Testing and Supply Of IED containment vessel

Research & Development Establishment (Engineers), Pune, a premier laboratory under Defence R&D Organization invites Expressions of Interest (EOI) from Indian industries having sufficient experience, expertise and willing to undertake Manufacturing, Testing and Supply Of IED containment vessel.

BRIEF DESCRIPTION:

The IED containment vessel is used for detonating improvised explosive devices (IED) and explosives inside them. The entire explosion energy is absorbed inside the enclosure and hence they are safely deployed to detonate explosives in crowded public areas with no damage to personnel and property.

The IED containment vessel has the capacity to absorb the blast energy due to explosion of 6 kg IED with a maximum of 4 kg TNT and 2 kg shrapnel. The vessel is in the shape of a cylinder which is open from both sides as shown in Figure 1. It is placed upright on the ground and the explosive is placed at the center of the enclosure with the help of an arrangement shown in Figure 2.

TECHNICAL DETAILS SALIENT FEATURES:

The technical details and salient features of the IED containment vessel are:

- Significantly cost-effective, light weight enclosure as compared to currently available solutions
- Contains 6 kg IED with a maximum of 4 kg TNT and 2 kg shrapnel
- Double walled cylinder open from both ends, placed upright on the ground
- Sandwich construction employed for maximum blast energy absorption
- One time use
- Weight of one enclosure - 350 kg
- Material - Structural steel, IS 2062, Gr. E 250
- Explosive charge placed inside enclosure on wooden stool arrangement.
- Human sustainable pressure level achieved at distance of 8m from enclosure



Figure 1: IED containment vessel

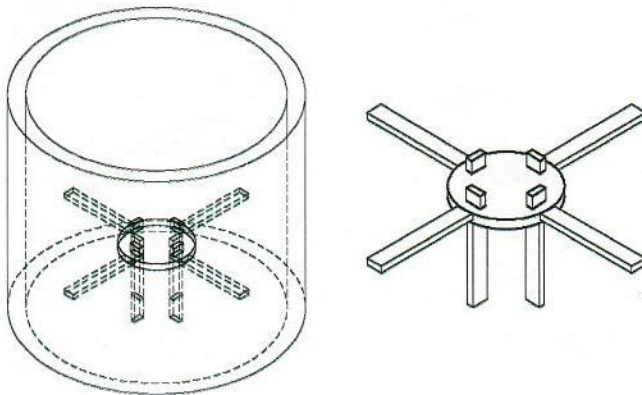


Figure 2: Arrangement for placing explosive at center of enclosure

Interested industries may respond along with their company profile, financial & technical capabilities etc. as per the following format :

- (a) Memorandum and Articles of Association (Should be incorporated as per Indian Companies Act, 1956)
- (b) Certificates of registration as a manufacturing unit, if any. (c) Balance Sheet for the preceding three years.
- (d) Income Tax returns for the preceding three year period
- (e) Details of shareholding/ownership pattern especially foreign partners/ shareholders, foreign employees, directors, etc. The company must adhere to the prevailing Govt. of India policies and regulations on Foreign Direct Investment (FDI).
- (f) Annual budget for R&D during last three years.
- (g) Numbers and details of IPR or patents etc held by the company. (h) Number of technically or professionally qualified personnel.
- (i) Record of past performance (e.g Supply orders executed against Ministry of

- Defence orders, public sectors and paramilitary forces, if any.
- (j) Availability of adequate infrastructure (List of machines and their production capacities) and technical expertise.
 - (k) List of Testing and Support equipments
 - (l) ISO/ ISI certification or any other certification
 - (m) Relevant clearances from the authorities/ ministries (if any)
 - (n) Capacity and capability to undertake developmental work and to accept attendant financial and commercial risks.
 - (o) Capacity/Capability to market the product through the marketing network, sales and service network, reliability to maintain confidentiality.

Eligible industries will be invited to sign Non-Disclosure Agreement with R&DE (Engrs) and for technical discussion, following which they shall be evaluated for giving Transfer of Technology (TOT) on non-exclusive basis. Criteria for choosing industry partner will include manufacturing capability, assurance on quality and capacity of production apart from other terms and conditions.

Interested industry may write to Director, R&DE(Engrs), Pune on the following address –

Director, R&DE(Engrs).

DRDO, Min. of Defence,

Alandi Road, Dighi,

Pune – 411015

They may also contact on phone – (020) 27044208, 27044880, 27044884

Email: director@rde.drdo.in , dchitrlekha@rde.drdo.in

Or

Director, DIITM,DRDO HQ,

Min. of Defence, DRDO Bhawan,

Room No. 447, B Block,

Rajaji Marg, New Delhi - 110011

Phone – 011 23013209

Email: tot@hqr.drdo.in